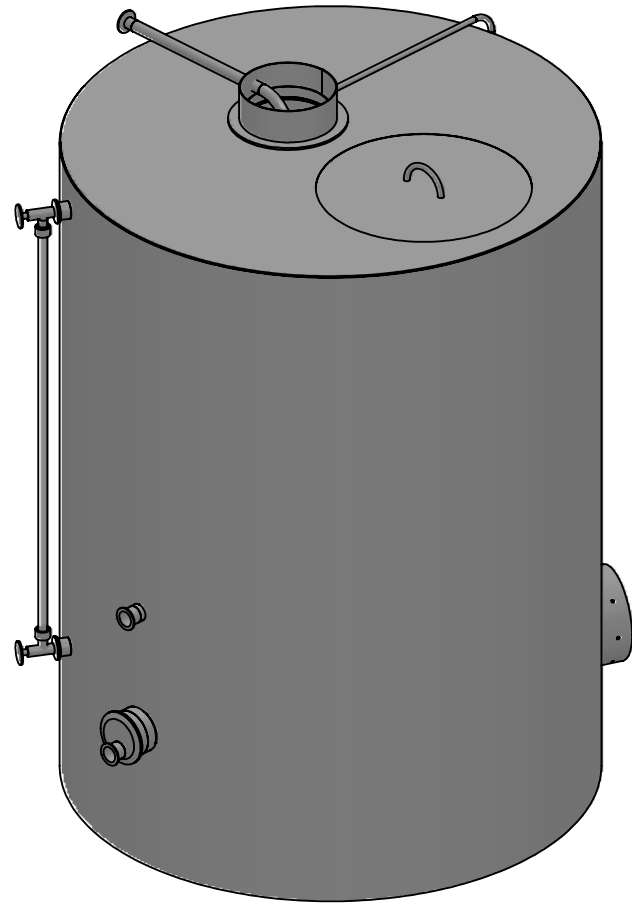
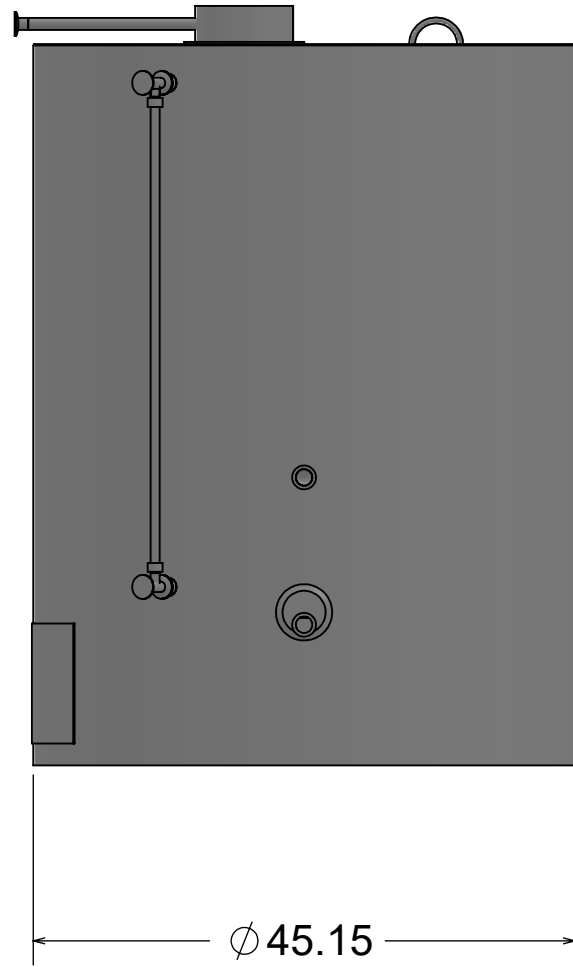




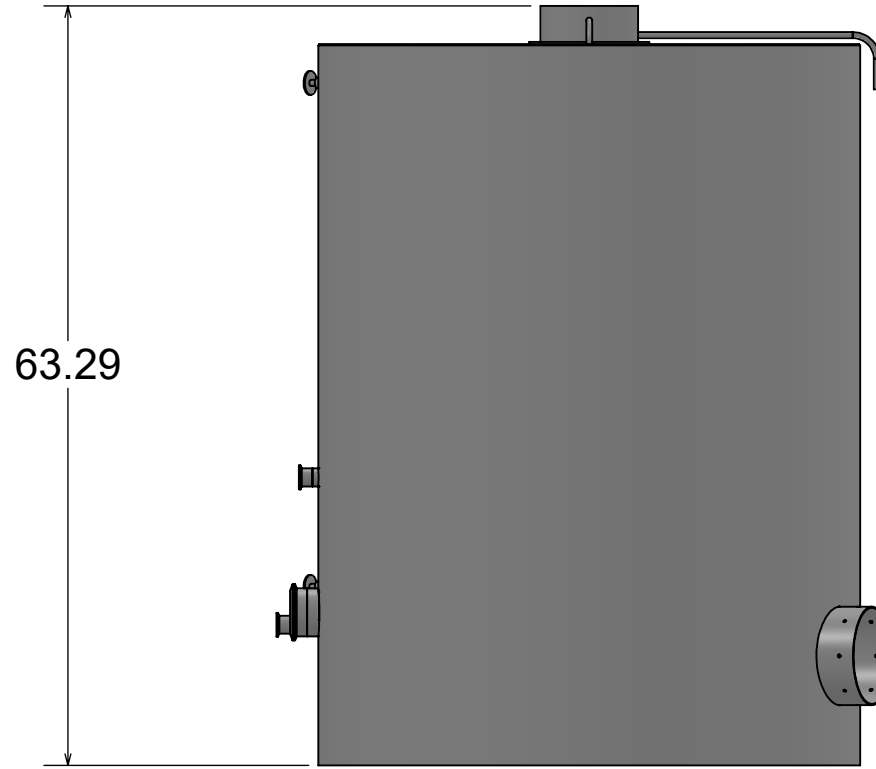
7 BBL FRANKENKETTLE CUSTOMER DRAWING



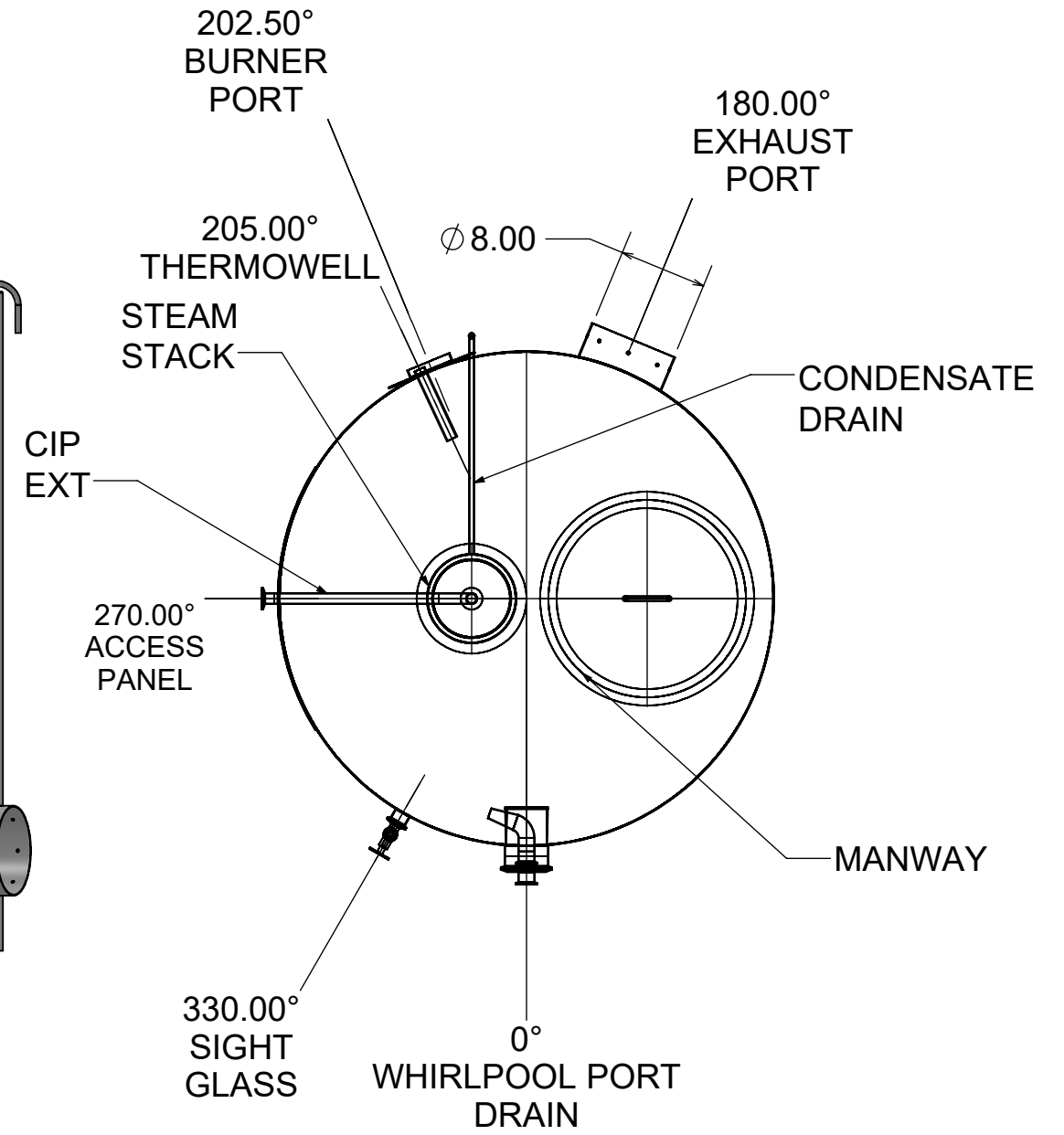
ISO



FRONT



RIGHT



TOP

*ELEVATIONS AND PORT ARRANGEMENTS ARE CUSTOMIZABLE.

VESSEL INFORMATION:

GROSS VOLUME - 10.3 BBLs / 320 GAL
 OVERALL HEIGHT - 63.5"
 OVERALL WIDTH - 45.5"

APPROVAL SIGNATURE <i>DENTED FACE BREWING</i>			CURRENT REV/VER: X	SERIAL NUMBER	VOLUME	MASS
			REV/VER	DESCRIPTION	DATE	ASM / PART / WELDMENT DESCRIPTION: 7 BBL FRANKENKETTLE
CUSTOMER NAME / COMPANY			MATERIAL OR SEE BOM (I/A)			SHEET
			STAINLESS STEEL			1 of 1

WARNING: PROPRIETARY AND CONFIDENTIAL INFORMATION.
 This document and the information set forth herein are confidential and proprietary to BENNETT FORGEWORKS. Confidentiality statement. This document is covered by Electronic Communications Privacy Act, 18 U.S.C. §§2510-2521 and is intended only for use of person or entity to which it is addressed. If you are not the intended recipient or have received this message in error, you are prohibited from disseminating or otherwise using this information under law. Receipt of this document is acknowledgment and acceptance that this is privileged, proprietary and confidential and will not be forwarded to any party(s) without prior written consent from the sender.